

	Code	Glazing	Size	mm.	Pcs
WINDOWS	LDGW-6/24R		1520x710mm	45	1
	LDGW-6/24L		1520x710mm		3
DOORS	LFDGD-2/24	Fully glazed doors	1930x1410mm		1

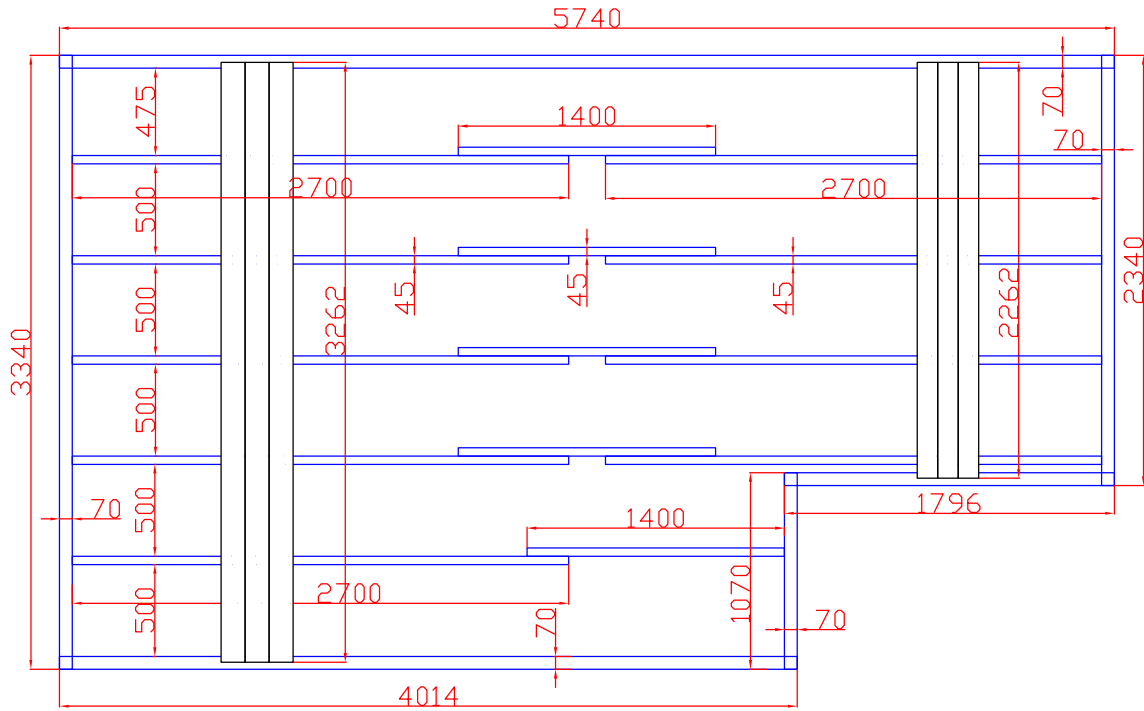
NEW SOMERSET 5935-45 SDG



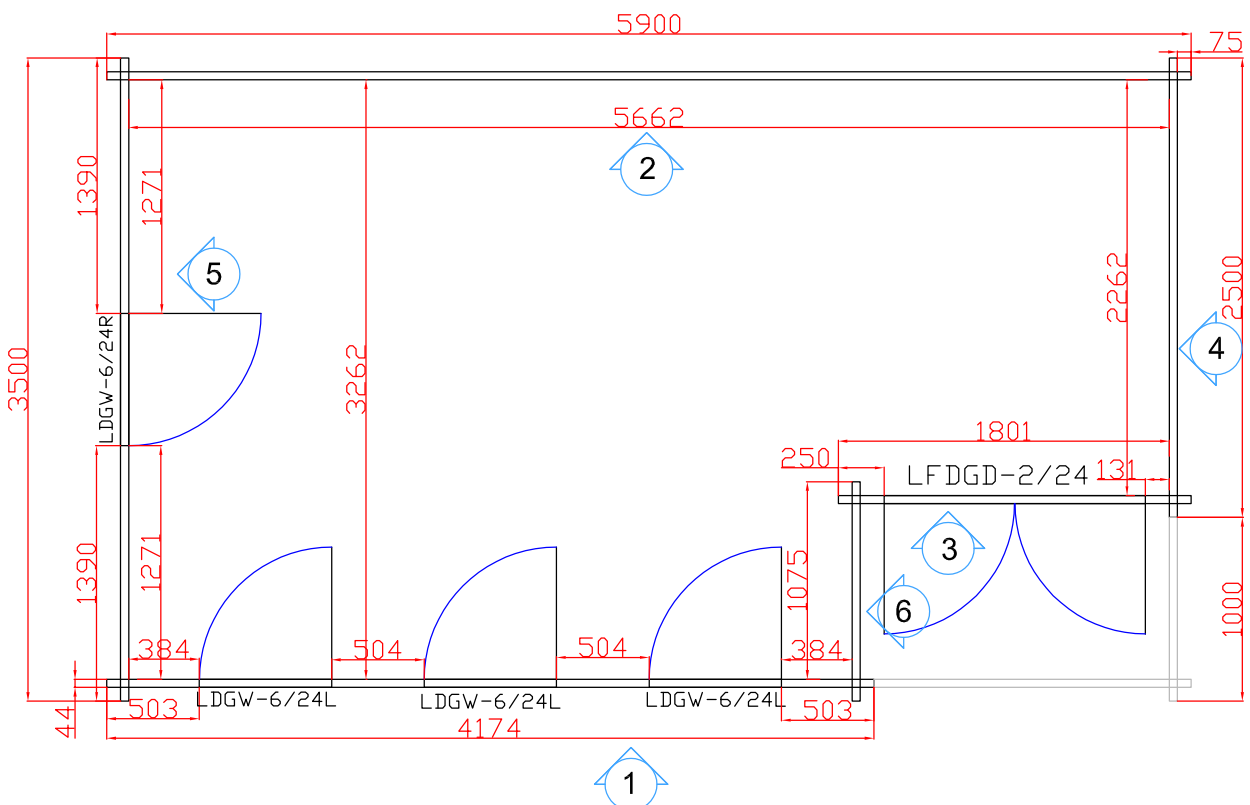
SIZE (m): 5.9 x 3.5
 HEIGHT SIDE WALL: 2145 mm
 RIDGE HEIGHT: ~2411 mm
 WALL LOG: 45 mm

ALL TOUGHENED GLASS

FOUNDATION AND FLOOR JOISTS PLAN



Floor boards 28mm
 Foundation and floor joists height 45mm



NEW SOMERSET 5935-45 SDG



SIZE (m): 5.9 x 3.5
 HEIGHT SIDE WALL: 2145 mm
 RIDGE HEIGHT: ~2411 mm
 WALL LOG: 45 mm

