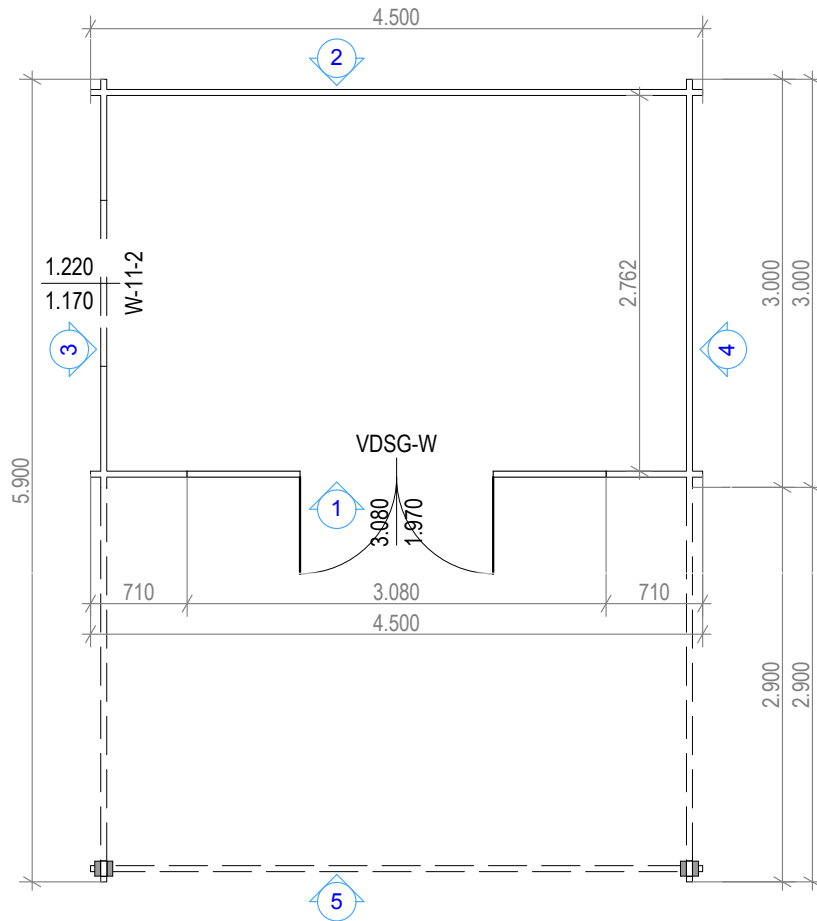


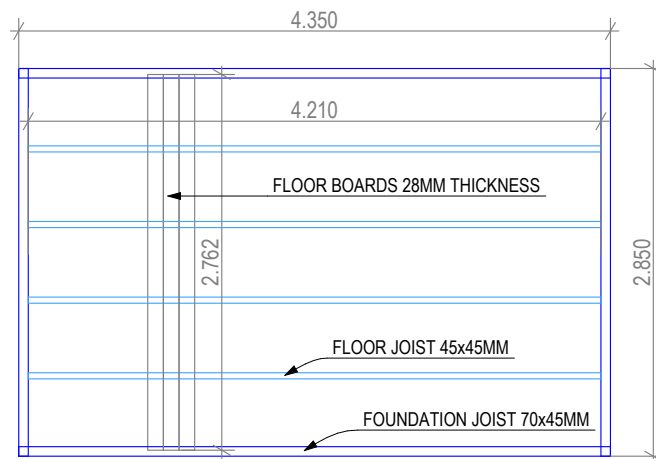
	CODE:	SIZE:	mm	Pcs
WINDOWS	W-11-2	1120x1210mm	45	1
DOORS	VDSG-W	1930x3050mm		1

CUMBRIA 4530-45 SG

SIZE (m): 4.5 x 3.0
 SIDE WALL HEIGHT: 2080 mm
 RIDGE HEIGHT: 2795 mm
 WALL LOG: 45 mm



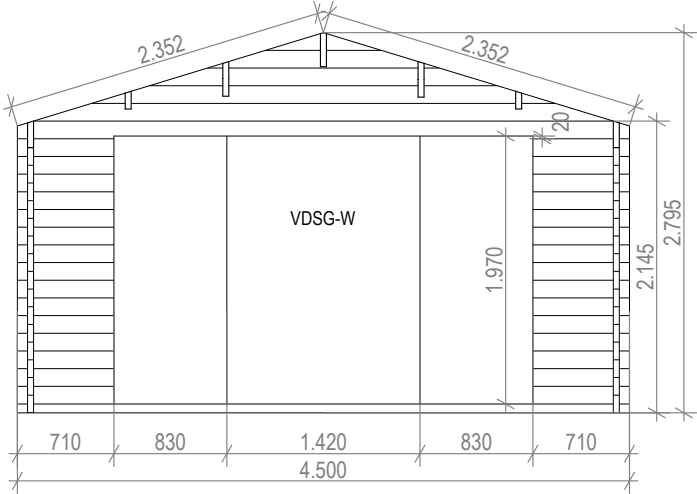
Floor plan



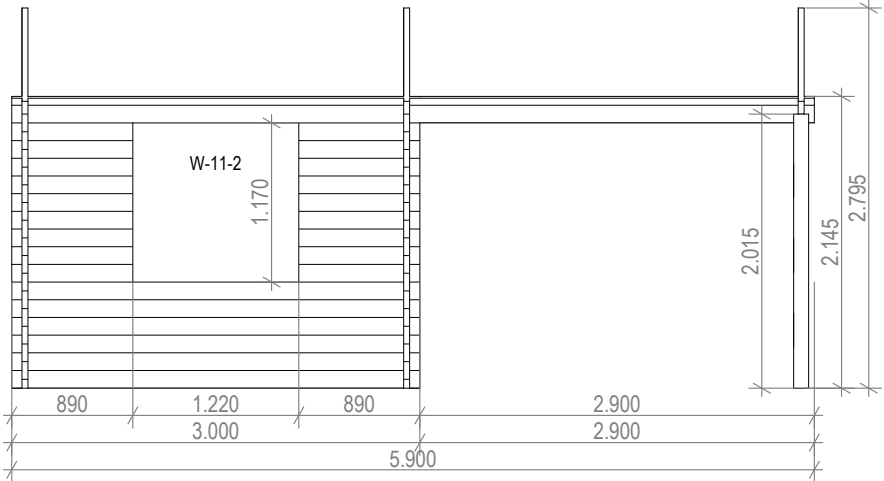
Floor joist plan

CUMBRIA 4530-45 SG

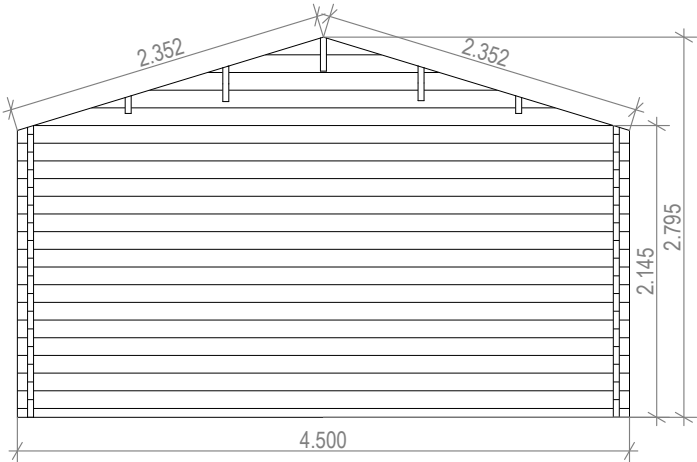
SIZE (m): 4.5 x 3.0
 SIDE WALL HEIGHT : 2080 mm
 RIDGE HEIGHT: 2795 mm
 WALL LOG: 45 mm



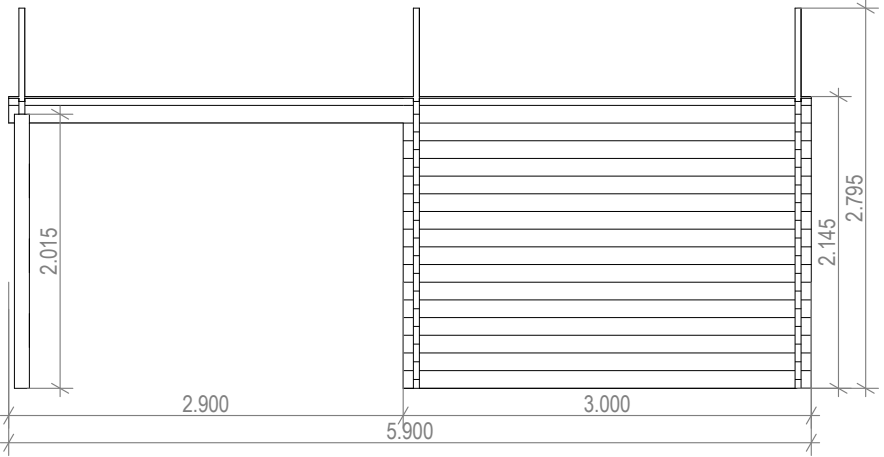
Elevation 1



Projection 2



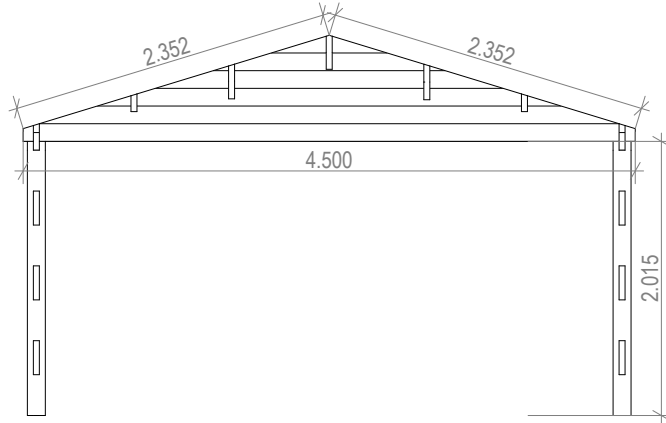
Elevation 3



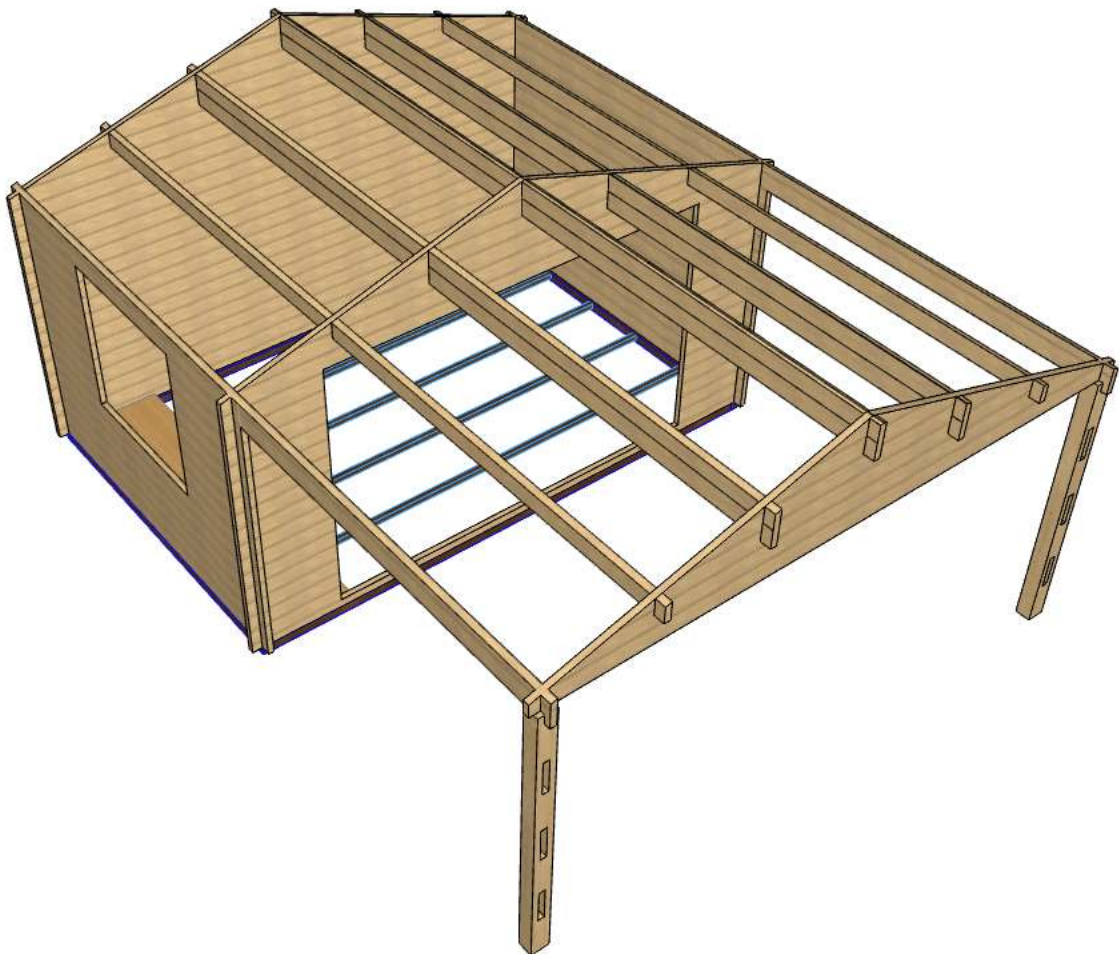
Elevation 4

CUMBRIA 4530-45 SG

SIZE (m): 4.5 x 3.0
SIDE WALL HEIGHT : 2080 mm
RIDGE HEIGHT: 2795 mm
WALL LOG: 45 mm



Elevation 5



Sketch