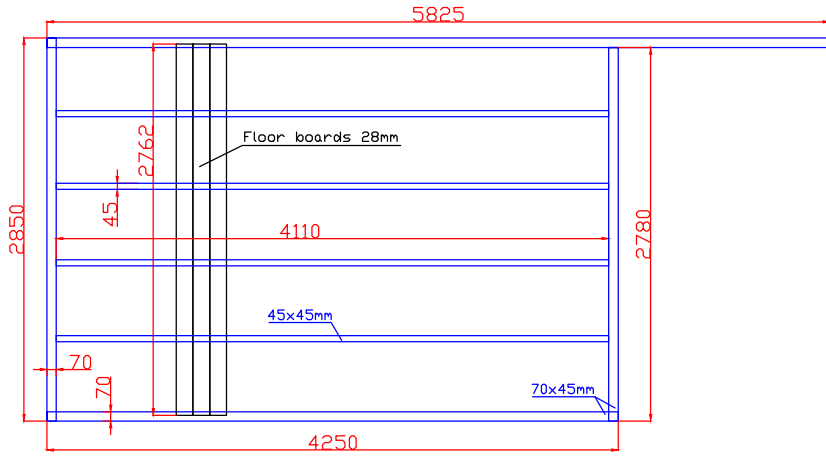


FLOOR PLAN



Foundation and floor joists height 45mm

Cambridgeshire 3059-45 DG



SIZE (m): 3.0 x 5.9
 HEIGHT SIDE WALL: 2145 mm
 RIDGE HEIGHT: 2405 mm
 WALL LOG: 45 mm

ref. DISPLAY

Nr. 271

| | Code | Glazing | Size | mm | Pcs |
|---------|-----------|--------------------|-------------|----|-----|
| WINDOWS | DGW-6/24R | | 1520x710mm | 45 | 2 |
| | DGW-6/24L | | 1520x710mm | | 1 |
| DOORS | FDGD-2/24 | Fully glazed doors | 1930x1410mm | | 1 |
| | | | | | |

Possible low bending
 Roof covering must be light

