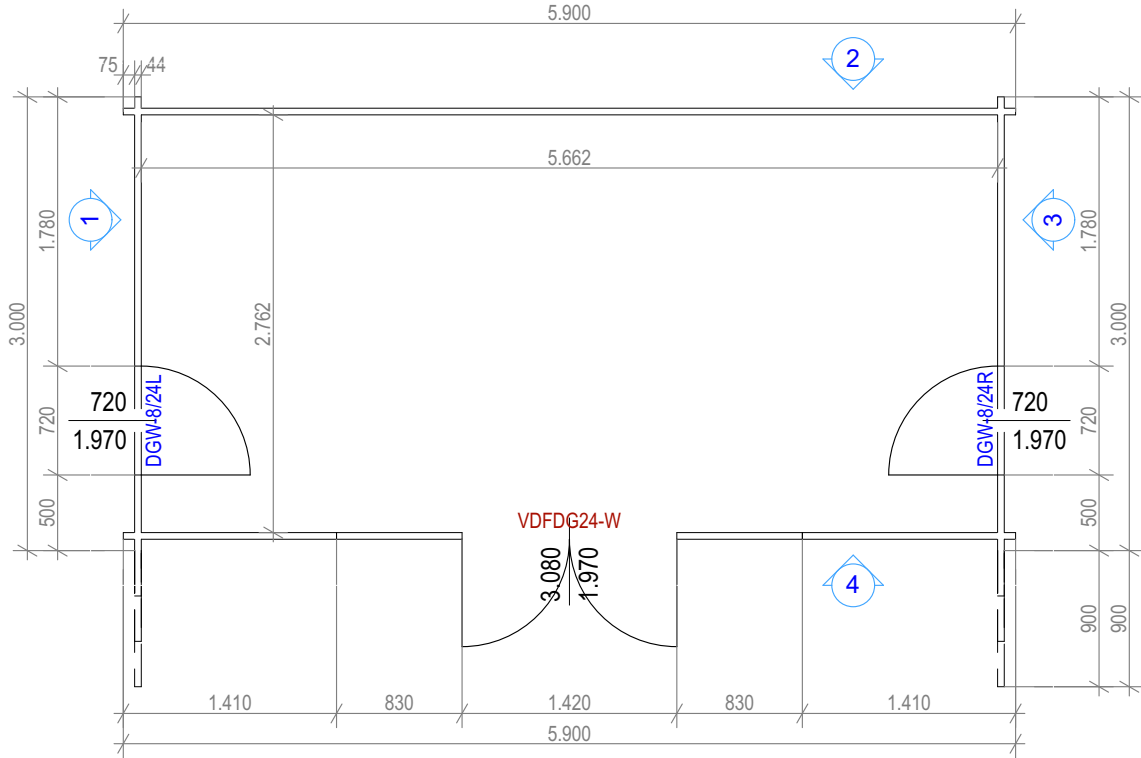


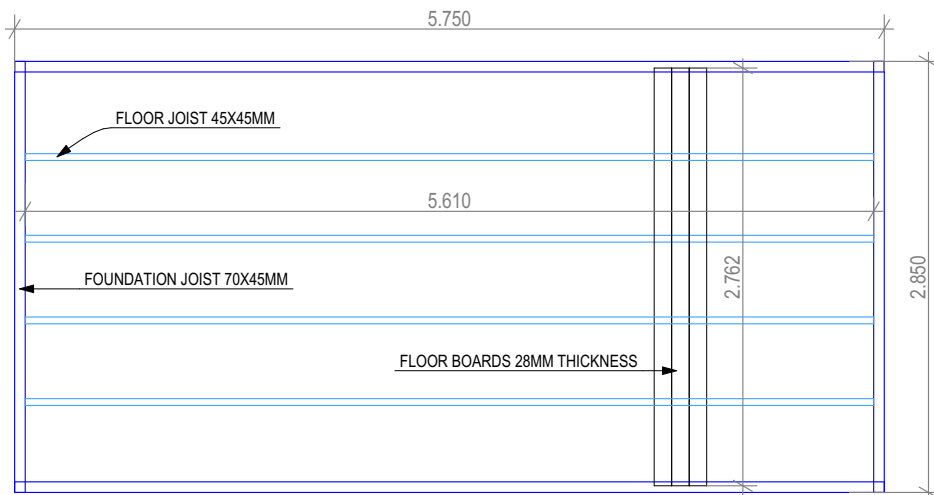
	Code:	Size:	Glazing:	mm	Pcs.
WINDOWS	DGW-8/24R	1930x710mm		44	1
	DGW-8/24L	1930x710mm			1
DOORS	VDFDG24-W	1930x3050mm	Fully		1

BERKSHIRE 5930-44 DG STANDARD

SIZE (m): 5.9 x 3.0
 SIDE WALL HEIGHT : 2080 mm
 RIDGE HEIGHT: 2470 mm
 WALL LOG: 44 mm



Floor plan

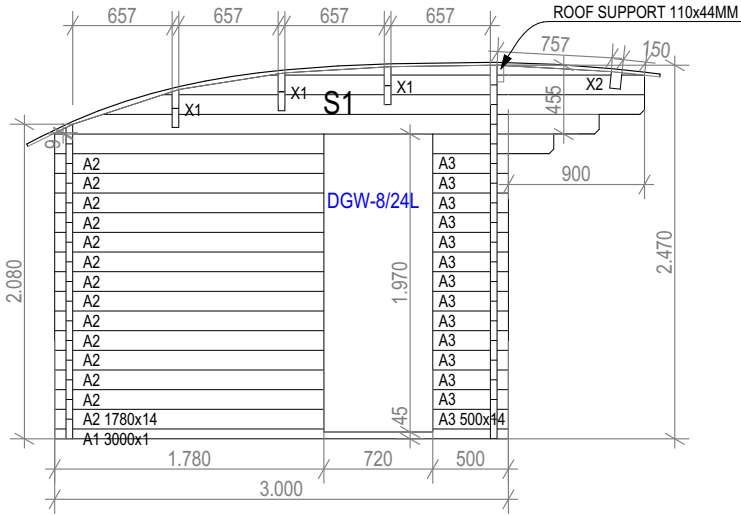


Joist plan

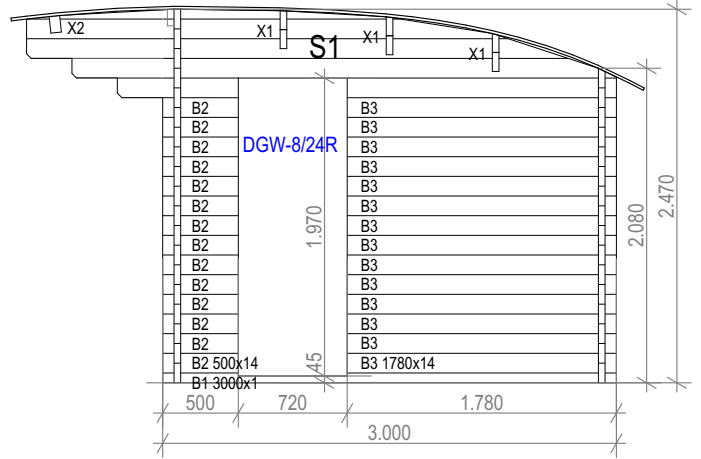
BERKSHIRE 5930-44 DG

STANDARD

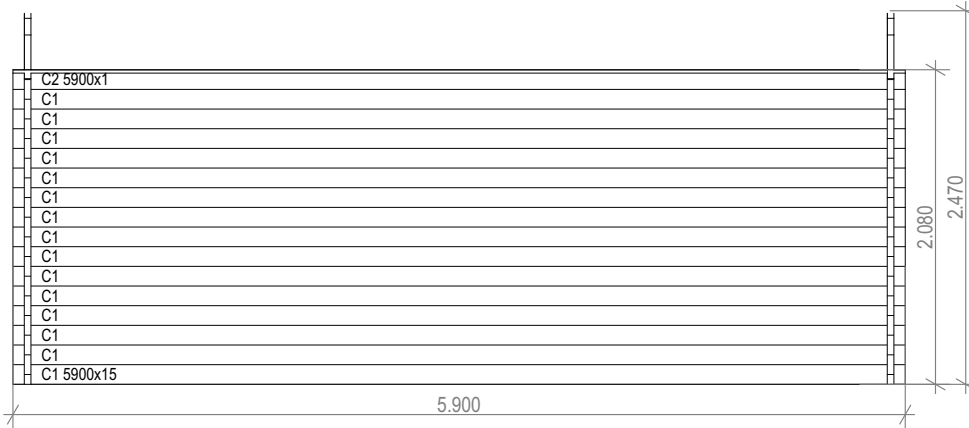
SIZE (m): 5.9 x 3.0
 SIDE WALL HEIGHT : 2080 mm
 RIDGE HEIGHT: 2470 mm
 WALL LOG: 44 mm



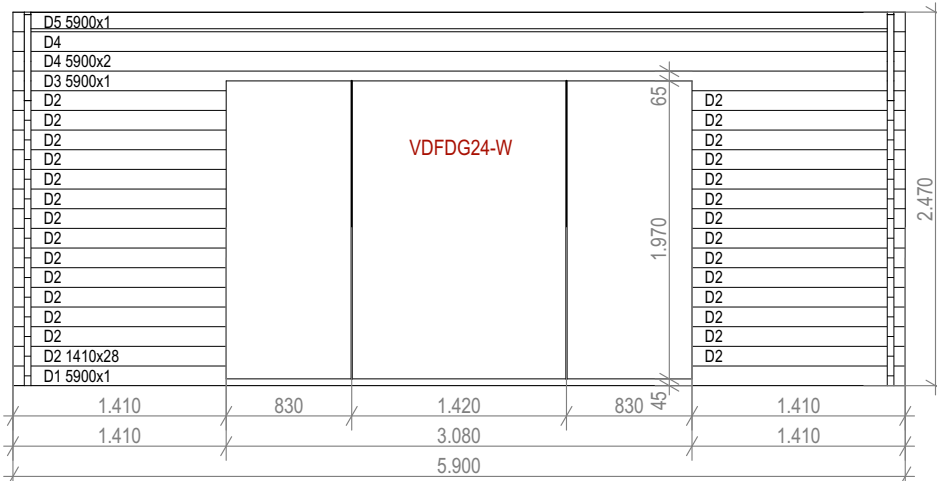
Elevation 1



Elevation 2



Elevation 3



Elevation 4

BERKSHIRE 5930-44 DG

STANDARD

SIZE (m): 5.9 x 3.0
SIDE WALL HEIGHT : 2080 mm
RIDGE HEIGHT: 2470 mm
WALL LOG: 44 mm



Sketch